

KG Remote Key Safe



The Critical Electronic Alarm Safe manufactured by Burton Safes provides remotely controlled and external key access to keys and critical data during an emergency situation. Providing Rescue forces, such as the fire brigade, ambulance and the police with access in case of an emergency.

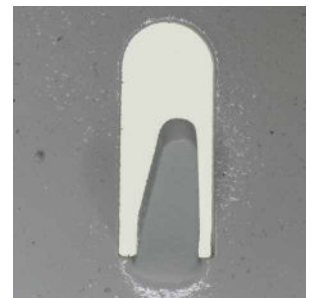
- Open remotely via connection to the built-in electronic strike.
- High security 7 lever slam lock included for key access
- Built in LED indicator lights up when opened remotely so that emergency services know when to open the door
- Stainless steel pull handle
- Powder coated finish as standard.
- Option to order in any available RAL colour.
(Subject to minimum order quantity)

Locking Options



Model	External (HxWxD)	Internal (HxWxD)	Weight	Key Hooks
1 RKS	190 x 250 x 120	150 x 170 x 100	6.5kg	3
2 Micro Switch	21 x 6.5 x 20	-	-	-
3 Surface Mount Shroud	198 x 258 x 124	-	-	-
4 Surface Mount Weather Enclosure	198 x 258 x 200	-	-	-
5 Flush Mount Weather Enclosure	184 x 258 x 83	-	-	-

Measurements including flange



Additional Info

Flange

Front flange for added security, weather sealing and decorative finish.

Fixing Holes

Complete with 3/8" fixing holes in the sides for bolting into the wall.

Micro Switch

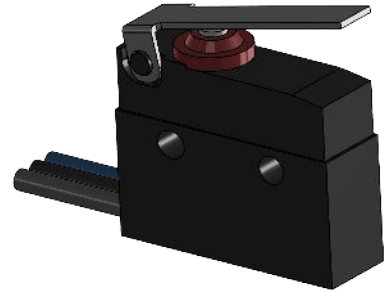
An optional micro-switch can be fitted to trigger a remote alarm when the door is opened



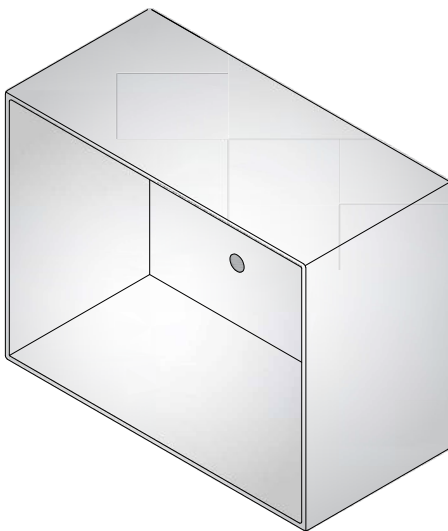


1 RKS

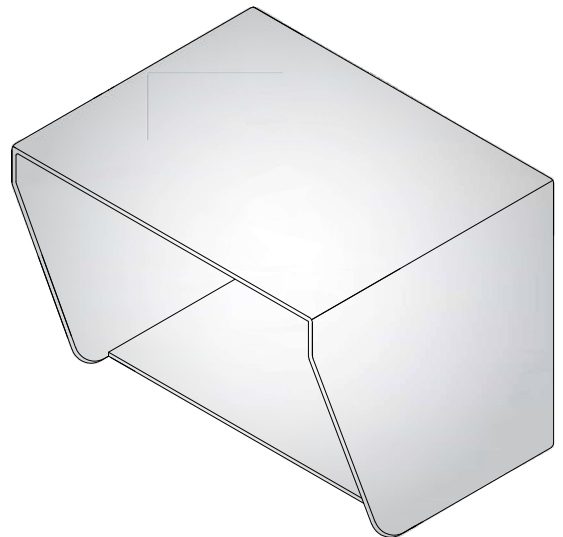
Optional



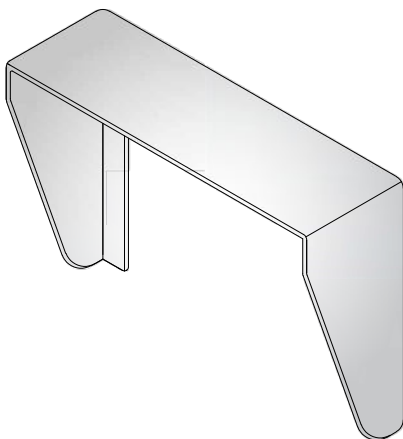
2 MICRO SWITCH



3 KRS SURFACE MOUNT SHROUD



4 KRS SURFACE MOUNT WEATHER ENCLOSURE



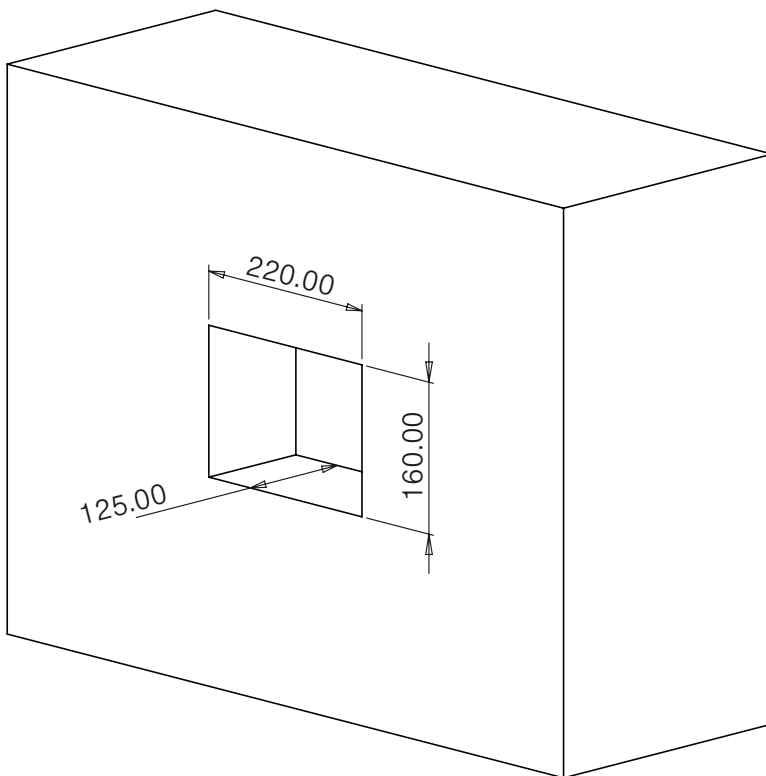
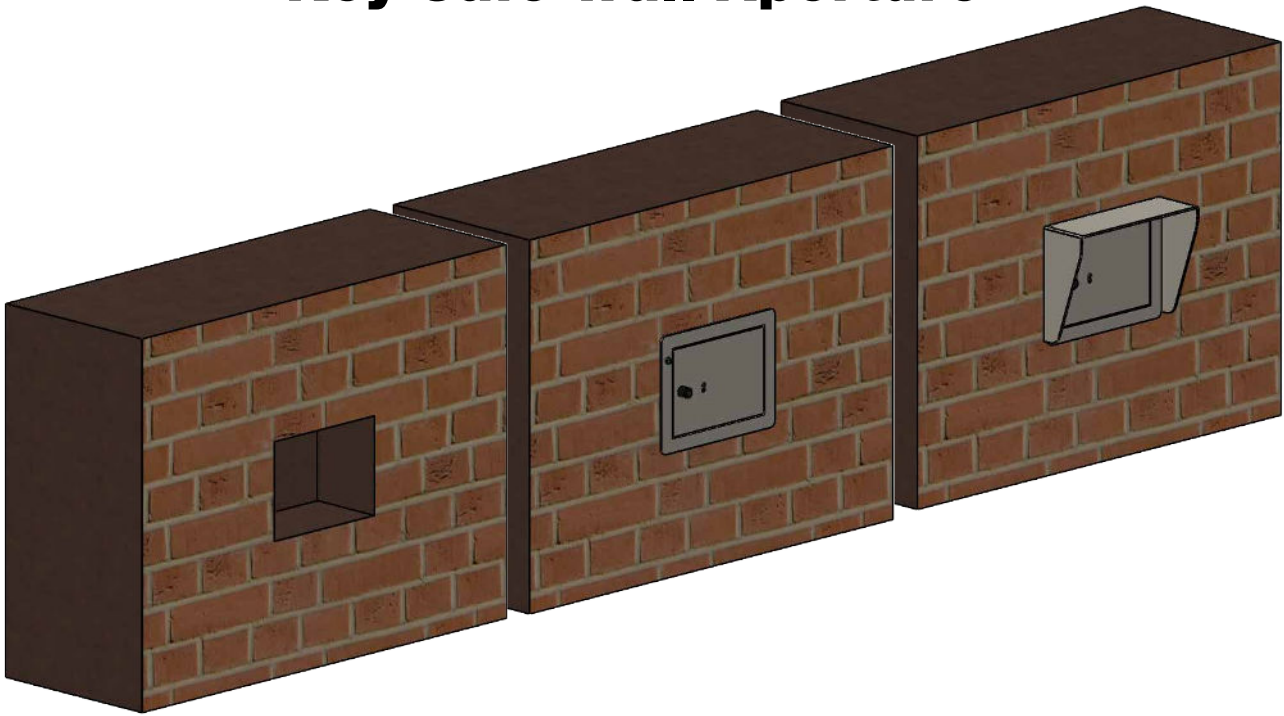
5 KRS FLUSH MOUNT WEATHER ENCLOSURE



KG Remote Key Safe



Keyguard Remote Key Safe Wall Aperture

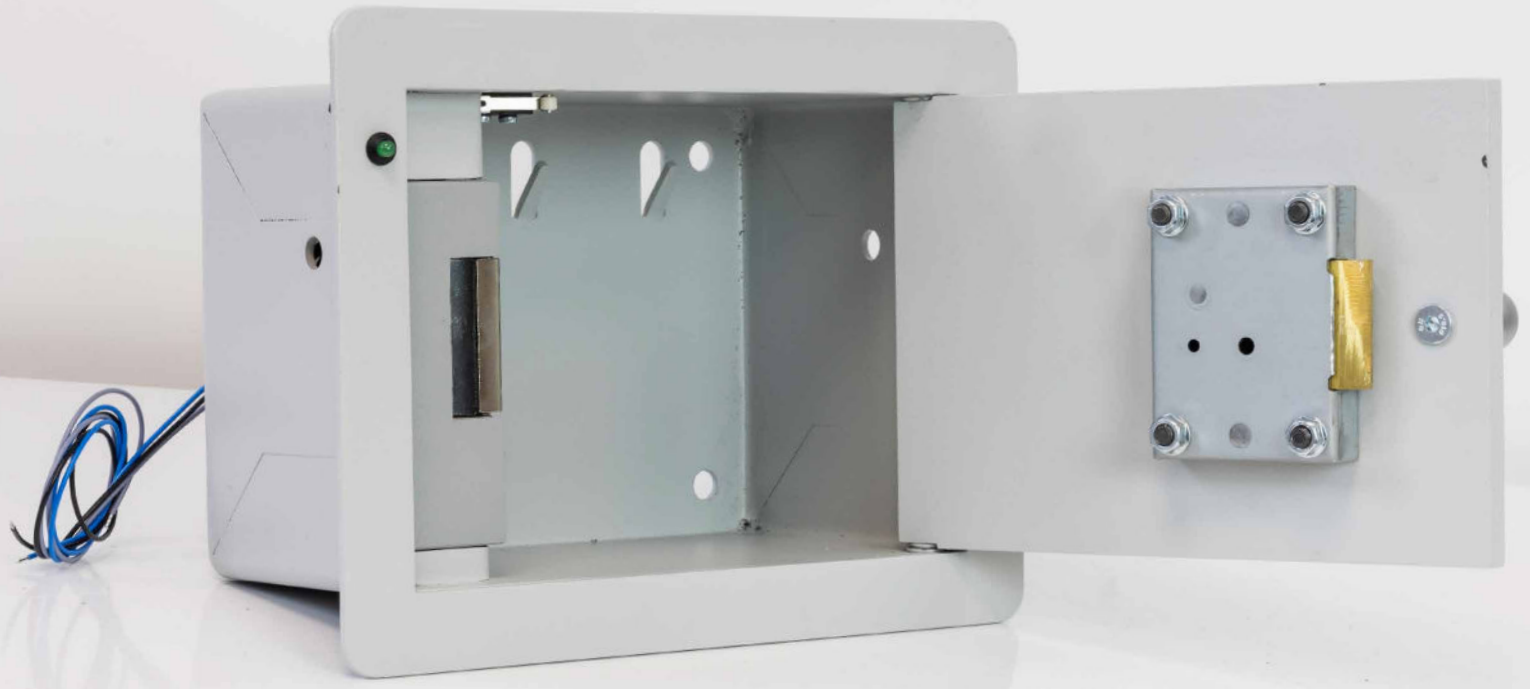


Designed for

- Alarm response & key holding companies
- Emergency services
- Sheltered Housing
- Halls of Residence
- Blocks of flats

**Sleek design easy to fits
into multiple enviroments.**

KG Remote Key Safe



*A fantastic and **well priced** safe that will manage the access of all your **important & critical keys.***



www.burtonsafes.co.uk | +44 (0) 1484 663388 | enquiries@burtonsecurity.com
Brockholes Business Park, Rock Mill Road, Holmfirth, HD9 7BN