



Burton Sotto
5 Year
Extended
Warranty

All our safes come with a 2 year warranty as standard. Consumers can Register on-line to increase the warranty to 5 years where products show the 5 Year Consumer Warranty badge.

Security Safes displaying the Home series Safe For Longer free replacement badge benefit from the 5 year warranty and a free replacement in the event of burglary.

*Ts & Cs apply, visit our website for full details

Please register online to qualify for the additional warranty at www.burtonsafes.co.uk



burtonsafes.co.uk

Burton Sotto



**Installation
Guide**

You will need:

Silicone Sealant | Waterproof Membrane
Concrete Mix | Silica Gel Bag

Burton Safes can supply a full installation kit for your safe which includes all of the items shown above. Why not ask your supplying stockist for further details?



Secure Your Valuables with a Burton Safe

www.burtonsafes.co.uk | +44 (0) 1484 663388 | enquiries@burtonsafes.co.uk
Brockholes Business Park, Rock Mill Road, Holmfirth, HD9 7BN



THE SURE DEFENCE

Product Security

The correct installation of the underfloor safe is most important to grant the security of this product.

Before carrying out any works to install the safe, ensure the safe door opens and closes.

When handling the safe, particularly while installing it. We recommend you follow safe lifting procedures.

Product Description

The safe is sold in the packaging closed. Two double-bitted keys and ownership card are contained in a plastic bag located under the cover

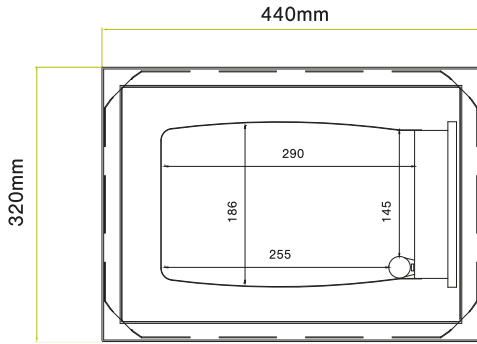
About the Key Lock

The safes are supplied with 2 keys. Keep the keys in a secure place - but not in the safe! If both keys are lost, the safe will have to be forced open. Please note that the key will only fit inside the lock in one position. Do not force the key into the lock.

How to open the safe

- Lift off the protective lid
- Insert the key into the key hole
- Turn the key clockwise twice
- Lightly pull the key upwards
- The door will automatically start to open

Note: Do not pull hard on the key to open the door

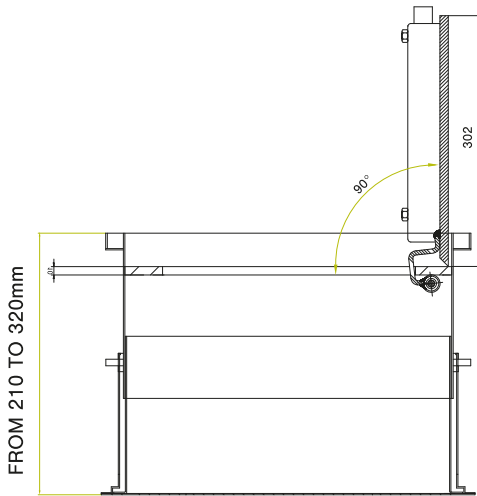


How to close the safe

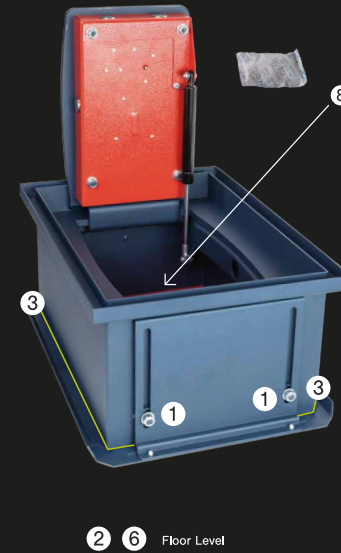
- Insert the key
- Ensure the door locking bolts are fully retracted before closing the door
- Push lightly against the door with the key to close the safe door
- Once the safe door is in the closed position turn the key anti-clockwise twice
- Remove the key
- Replace the protective lid

Note: During the closing operation please ensure that your fingers or hands are not located on the body of the safe.

To allow for the ease of opening and closing of the door, the safe door is fitted with a gas strut.



FROM 210 TO 320mm

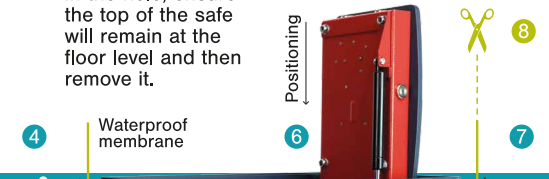


Sotto preparation and installation instructions

- 1 Adjust the depth of your Sotto**
Between 21cm to a maximum of 32cm
 Using a 13mm spanner, partially unscrew the 4 nuts to allow you to adjust the safe to the depth you need. Tighten all the nuts once you have set the safe to the desired depth.

- 2** Leave at least 10cm clearance around the safe in all directions including underneath the safe

Now place your safe in the hole, ensure the top of the safe will remain at the floor level and then remove it.



- 3** **Apply silicone sealant to all the external joints**

Once you have adjusted the depth, apply silicone to all the external joints and gaps of the safe.

- Allow 24 hours for this to set

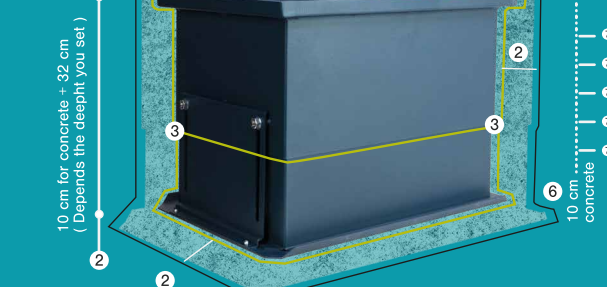
- 4 Wrap your safe in the waterproof membrane before positioning inside the hole**

When setting ensure the top of the safe remains at final floor level by placing 'pillars' or something suitable to maintain it to be level and not sink in the concrete mix whilst curing.

Ensure no concrete gets between the membrane and the safe

- 5 Mix your concrete in line with the cement manufacturer's instructions**

4.5kg Portland cement
9kg Aggregate
7kg Sand
15.5kg Metal Fibres



6 Spread 10 cm of your concrete mix in the bottom of the hole
NOTE: The concrete mix has been calculated with the safe fully extended. If you are not fully extending the depth of the safe the materials required will be less.

- 6 Spread 10 cm of your concrete mix in the bottom of the hole**

Place your safe in the hole making sure the top is level with the floor

- 7 Spread the rest of the concrete around the safe to ground level**

Add the concrete in 100mm layers ensuring each layer is well worked into the top of the layer below

- 8 Do not use your safe until 15 days**

Ensure all moisture has been released from the concrete mix and place a silica bag inside of your safe

Once set, cut down the membrane so it is level with the floor